



**洗衣机连接器系列**  
**Washer Connector Series**

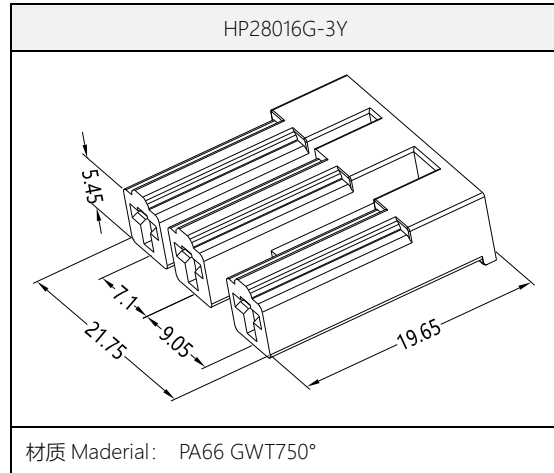
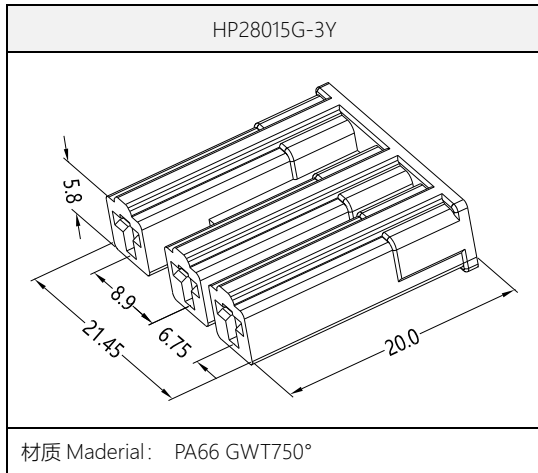
---

◆ TERMINAL

	型号 Part No.	适用电线范围 Wire Range		材料 Material	尺寸(mm) Size			插片 Tab	材料厚度 Material Thickness	包装数量 Q'ty/reel	备注 Note
		mm <sup>2</sup>	AWG#		W	L	E				
	TP11094G-3	0.20~0.50	24-20	磷青铜 PB	3.7	15.1	7.6	2.8*0.5	0.25	35000 PCS	
TP11095G-3	0.50~0.75	20-18	磷青铜 PB	3.7	15.1	7.6	2.8*0.5	0.25	35000 PCS		

◆ HOUSING

HP28013G-3Y	HC28013G-3S
材质 Material: PA66 GWT750°	材质 Material: PA66 GWT750°
HP28014G-3Y	HC28014G-3S
材质 Material: PA66 GWT750°	材质 Material: PA66 GWT750°
HP28020G-3Y	HC28020G-3S
材质 Material: PA66 GWT750°	材质 Material: PA66 GWT750°



◆ TERMINAL

	型号	适用电线范围		材料	尺寸(mm)			插片	材料厚度	包装数量	备注
	Part No.	Wire Range			Size						
		mm <sup>2</sup>	AWG#	Material	W	L	E	Tab	Material Thickness	Q'ty/reel	Note
	TP11041K-3	0.30~0.75	22-18	黄铜 Brass	3.9	15.5	6.4	2.8*0.5	0.25	15000 PCS	
	TP11042K-3	0.75~1.50	18-16	黄铜 Brass	3.9	15.5	6.4	2.8*0.5	0.25	15000 PCS	

◆ HOUSING

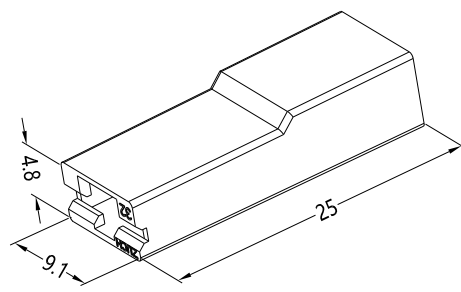
HP28010G-3Y	HC28010G-3S
材质 Material: PA66 GWT750°	材质 Material: PA66 GWT750°

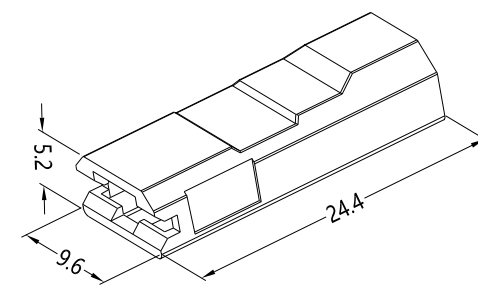
◆ TERMINAL

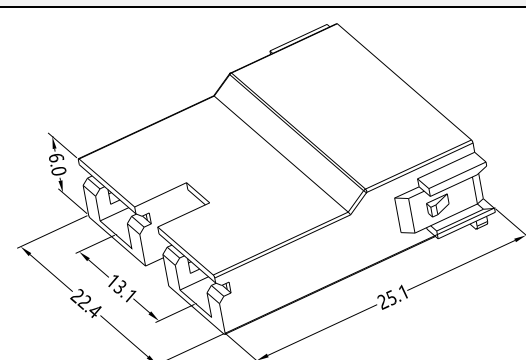
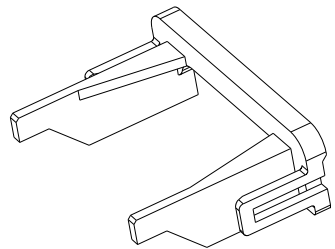
	型号 Part No.	适用电线范围 Wire Range		材料 Material	尺寸(mm) Size			插片 Tab	材料厚度 Material Thickness	包装数量 Q'ty/reel	备注 Note
		mm <sup>2</sup>	AWG#		W	L	E				
	TP25021A-2	0.50~0.75	20-18	黄铜 Brass	7.5	17.2	7.8	6.3*0.8	0.4	6000PCS	
TP25022A-2	1.50~2.50	16-14	黄铜 Brass	7.5	17.2	7.8	6.3*0.8	0.4	6000PCS		

	型号 Part No.	适用电线范围 Wire Range		材料 Material	尺寸(mm) Size			插片 Tab	材料厚度 Material Thickness	包装数量 Q'ty/reel	备注 Note
		mm <sup>2</sup>	AWG#		W	L	E				
	TP25011K-2	0.50~0.75	20-18	黄铜 Brass	7.6	19.3	7.8	6.3*0.8	0.4	7000PCS	
TP25012K-2	1.50~2.50	16-14	黄铜 Brass	7.6	19.0	7.7	6.3*0.8	0.4	6000PCS		

◆ HOUSING

HP25011G-1Y

材质 Material: PA66 UL94-V0, PA66 GWT750°

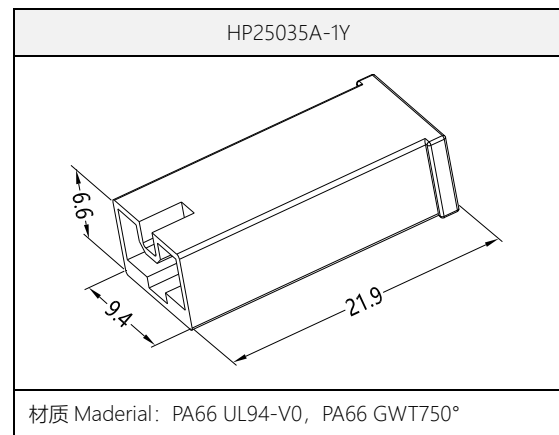
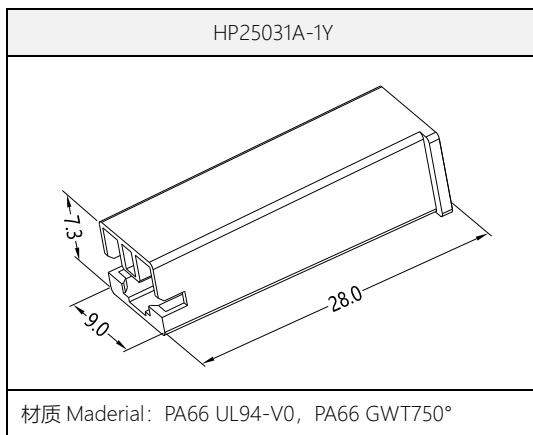
HP25014G-1Y

材质 Material: PA66 UL94-V0, PA66 GWT750°

HP25011G-2Y	HC25011G-2S
	
材质 Material: PA66 UL94-V0, PA66 GWT750°	材质 Material: PA66 UL94-V0, PA66 GWT750°

◆ TERMINAL

	型号 Part No.	适用电线范围 Wire Range		材料 Material	尺寸(mm) Size			插片 Tab	材料厚度 Material Thickness	包装数量 Q'ty/reel	备注 Note
		mm <sup>2</sup>	AWG#		W	L	E				
	TP25037K-3	0.30~0.75	22-18	黄铜 Brass	7.6	23.0	6.5	6.3*0.8	0.4	5000PCS	
TP25038K-3	0.75~1.50	18-16	黄铜 Brass	7.6	23.0	6.5	6.3*0.8	0.4	5000PCS		
TP25039K-3	1.00~2.50	16-14	黄铜 Brass	7.6	23.0	6.5	6.3*0.8	0.4	5000PCS		

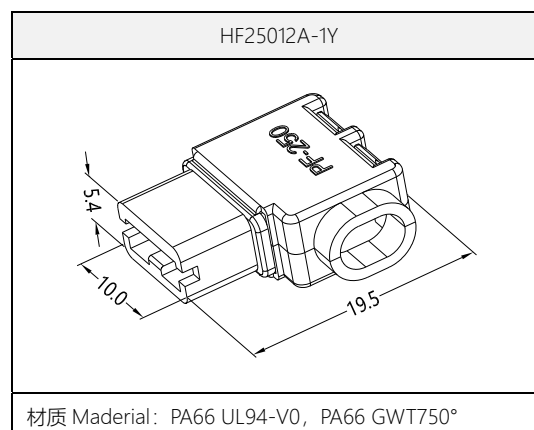
◆ HOUSING



◆ TERMINAL

	型号 Part No.	适用电线范围 Wire Range		材料 Material	尺寸(mm) Size			插片 Tab	材料厚度 Material Thickness	包装数量 Q'ty/reel	备注 Note
		mm <sup>2</sup>	AWG#		W	L	E				
	TF25031A-3	0.50~0.75	20-18	黄铜 Brass	7.6	18.7	7.8	6.3*0.8	0.4	4000PCS	
TF25030A-8	0.75~2.50	18-14	黄铜 Brass	7.6	19.4	7.8	6.3*0.8	0.4	4000PCS		

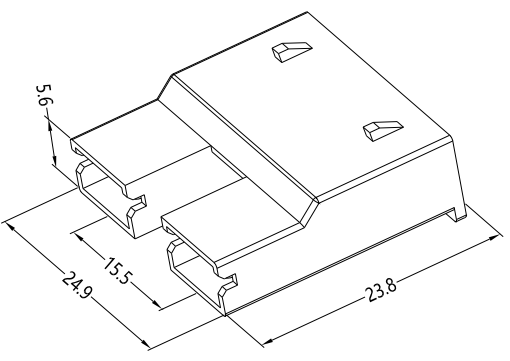
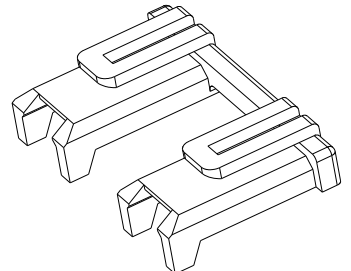
◆ HOUSING



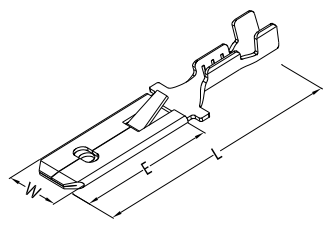
◆ TERMINAL

	型号 Part No.	适用电线范围 Wire Range		材料 Material	尺寸(mm) Size			插片 Tab	材料厚度 Material Thickness	包装数量 Q'ty/reel	备注 Note
		mm <sup>2</sup>	AWG#		W	L	E				
	TP25083K-3	0.50~1.25	20-16	黄铜 Brass	7.4	9.85	21.4	6.3*0.8	0.4	2000PCS	

◆ HOUSING

HP25083K-2Y	HC25083K-2S
	
材质 Material: PA66 GWT750°	材质 Material: PA66 GWT750°

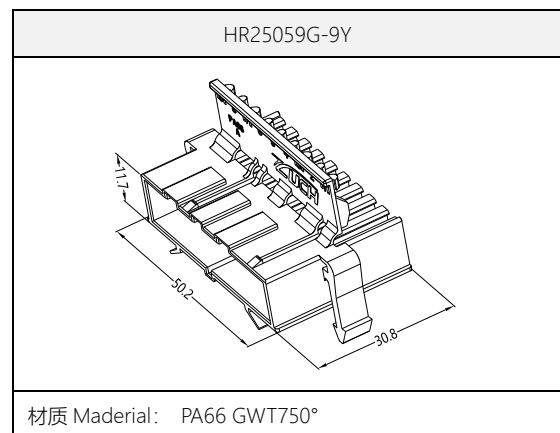
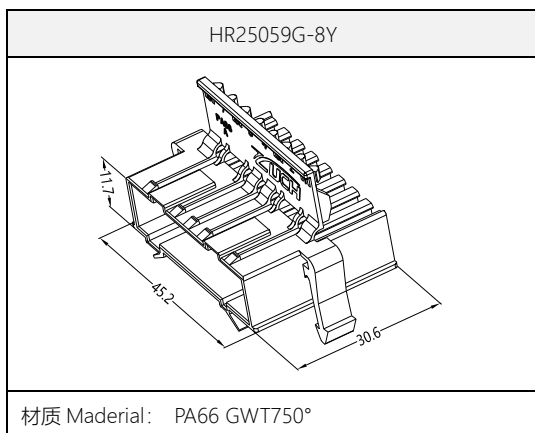
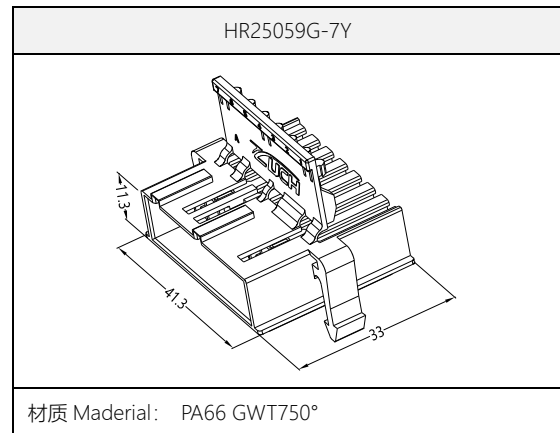
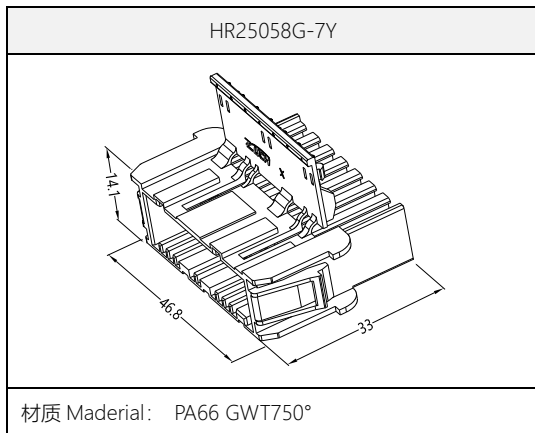
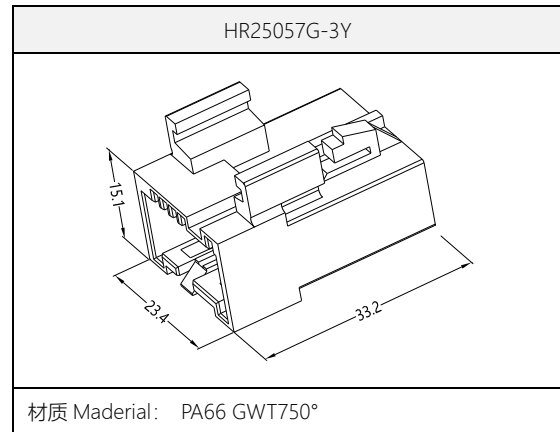
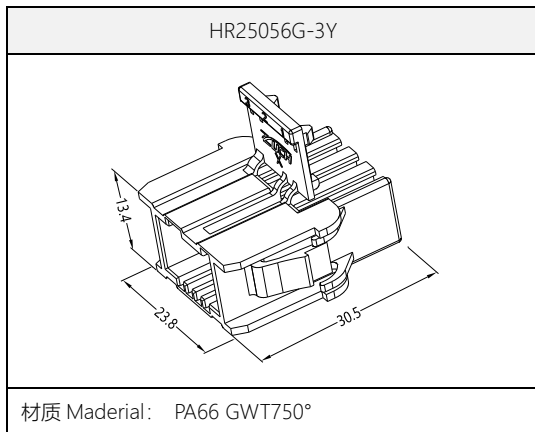
◆ TERMINAL

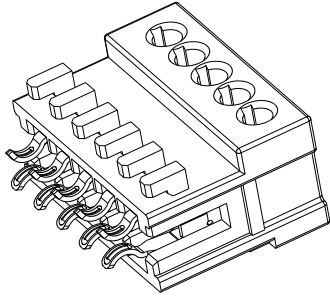
	型号 Part No.	适用电线范围 Wire Range		材料 Material	尺寸(mm) Size			厚度 Thickness	材料厚度 Material Thickness	包装数量 Q'ty/reel	备注 Note
		mm <sup>2</sup>	AWG#		W	L	E				
	TR25045G-8	0.30~0.75	22-18	黄铜 Brass	6.3	28.0	15.0	0.8	0.4	4000PCS	
TR25046G-8	0.50~1.30	20-16	黄铜 Brass	6.3	28.0	15.0	0.8	0.4	4000PCS		
TR25047G-8	0.75+0.75 0.75+1.30	18+18 16+18	黄铜 Brass	6.3	28.0	15.0	0.8	0.4	4000PCS		

	型号 Part No.	适用电线范围 Wire Range		材料 Material	尺寸(mm) Size			厚度 Thickness	材料厚度 Material Thickness	包装数量 Q'ty/reel	备注 Note
		mm <sup>2</sup>	AWG#		W	L	E				
	TR25045M-8	0.75~1.50	18-16	黄铜 Brass	6.3	28.0	15.0	0.8	0.4	4000PCS	
TR25046M-8	2.00~3.00	14-12	黄铜 Brass	6.3	28.0	15.0	0.8	0.4	4000PCS		
TR25047M-8	1.50+1.50 0.75+2.00	16+16 18+14	黄铜 Brass	6.3	28.0	15.0	0.8	0.4	4000PCS		

	型号 Part No.	适用电线范围 Wire Range		材料 Material	尺寸(mm) Size			厚度 Thickness	材料厚度 Material Thickness	包装数量 Q'ty/reel	备注 Note
		mm <sup>2</sup>	AWG#		W	L	E				
	TR25047J-8	0.30~0.75	22-18	黄铜 Brass	6.3	28.0	15.0	0.8	0.4	4000PCS	
TR25048G-8	0.50~1.30	20-16	黄铜 Brass	6.3	28.0	15.0	0.8	0.4	4000PCS		

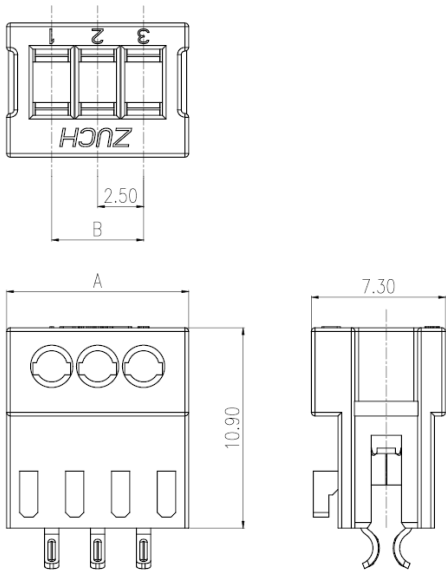
◆ HOUSING





**主要技术参数 (Main specifications)**

- 导线范围 (Wire Range): AWG22-24#
- 额定电压 (Rating Voltage): 250V AC/DC
- 额定电流 (Rating Current): 2A
- 接触电阻 (Contact Resistance):  $\leq 10\text{m}\Omega$
- 绝缘电阻 (Insulation Resistance):  $\geq 5\text{M}\Omega$
- 耐压 (Withstand Voltage): 370V
- 温度范围 (Temperature Range):  $-40^{\circ}\text{C}\sim 105^{\circ}\text{C}$
- 基板厚度 (PC Board Thickness): 1.6mm
- 外壳材料 (Material): PA66



孔位 Circuits	规格型号 Part No.	DIM A	DIM B
3Pos	HP2527G-3Y	9.9	5.0
4Pos	HP2527G-4Y	12.4	7.5
5Pos	HP2527G-5Y	14.9	10.0
6Pos	HP2527G-6Y	17.4	12.5
7Pos	HP2527G-7Y	19.9	15.0

备注: 键位位置可任意调整  
Note: The Keying position can be adjusted as request

◆ TERMINAL

	型号 Part No.	适用电线范围 Wire Range		材料 Material	尺寸(mm) Size			插片 Tab	材料厚度 Material Thickness	包装数量 Q'ty/reel	备注 Note
		mm <sup>2</sup>	AWG#		W	L	E				
TP25097A-8 (D)	0.50~1.00	20-16	磷铜 PB 钢 Steel	4.8	19.5	11.0	6.3*0.8	0.4	1800PCS		
TP25097A-8	1.00~2.50	16-14	磷铜 PB 钢 Steel	4.8	19.5	11.0	6.3*0.8	0.4	1800PCS		
TP25096A-8	2.50~4.00	14-12	磷铜 PB 钢 Steel	4.8	19.5	11.0	6.3*0.8	0.4	1800PCS		



◆ TERMINAL

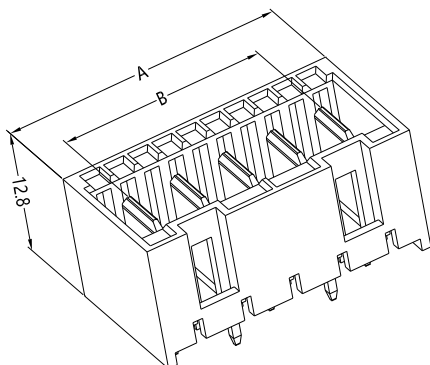
	型号 Part No.	适用电线范围 Wire Range		材料 Material	尺寸(mm) Size			插片 Tab	材料厚度 Material Thickness	包装数量 Q'ty/reel	备注 Note
		mm <sup>2</sup>	AWG#		W	L	E				
	TP25098A-3	1.00~2.50	16-14	磷铜 PB	4.8	19.3	11.0	6.3*0.8	0.3	1500PCS	

◆ HOUSING

HP25098G-2Y	HP25098G-3Y	HP25098G-4Y
材质 Material: PA66 GWT750°		

HP25098G-5Y	HP25098G-7Y
材质 Material: PA66 GWT750°	

◆ WAFER



孔位 Circuits	规格型号 Part No.	DIM A	DIM B
2Pos	HW25098G-2A	12.3	5.0
3Pos	HW25098G-3A	17.3	10.0
4Pos	HW25098G-4A	22.3	15.0
5Pos	HW25098G-5A	27.3	20.0
7Pos	HW25098G-7A	37.6	30.0
备注: 键位位置可任意调整 Note: The Keying position can be adjusted as request			



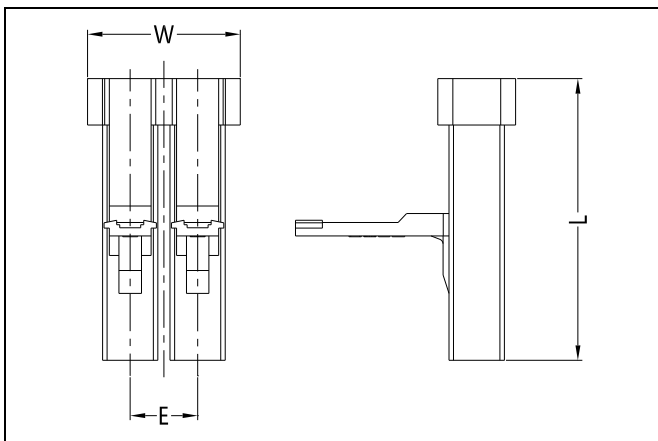
**主要技术参数 (Main specifications)**

- 额定电压 (Rating Voltage): 250V AC/DC
- 额定电流 (Rating Current): 2A
- 接触电阻 (Contact Resistance):  $\leq 15m\Omega$
- 绝缘电阻 (Insulation Resistance):  $\geq 1000M\Omega$
- 耐压 (Withstand Voltage): 500V AC/1min.
- 温度范围 (Temperature Range):  $-40^{\circ}C \sim 105^{\circ}C$
- 基板厚度 (PC Board Thickness): 1.6mm
- 孔座材料 (Housing Material): PA66
- 针座材料 (Wafer Material): PA66
- 端子材料 (Terminal Material): 磷青铜 Phosphor Bronze

◆ TERMINAL

	型号 Part No.	适用电线范围 Wire Range		材料 Material	尺寸(mm) Size			材料厚度 Material Thickness	包装数量 Q'ty/reel	备注 Note
		mm <sup>2</sup>	AWG#		W	L	E			
	TP45020G-3	0.30~0.50	22-20	磷铜 PB	2.2	12.8	5.3	0.25	4500PCS	

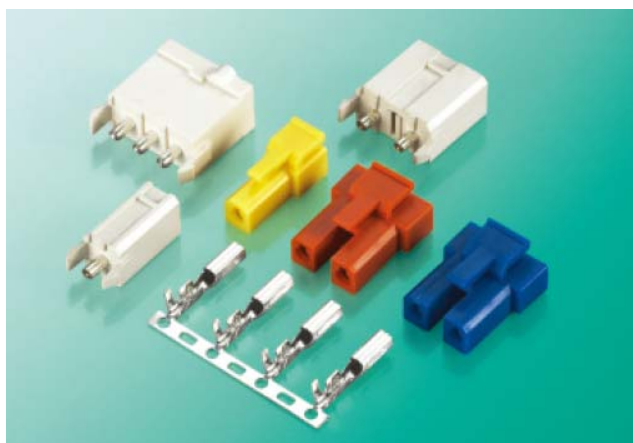
◆ HOUSING



孔位 Circuits	规格型号 Part No.	尺寸(mm) Size		
		W	L	E
2Pos	HP45020G-2Y	10.2	18.8	4.5

## 2.1 洗衣机连接器系列

## 2.1 WASHER CONNECTOR SERIES



### 主要技术参数 (Main specifications)

- 额定电压 (Rating Voltage): 300V AC/DC
- 额定电流 (Rating Current): 7A
- 接触电阻 (Contact Resistance):  $\leq 10\text{m}\Omega$
- 绝缘电阻 (Insulation Resistance):  $\geq 1000\text{M}\Omega$
- 耐压 (Withstand Voltage): 1000V AC/1min.
- 温度范围 (Temperature Range):  $-40^{\circ}\text{C}\sim 105^{\circ}\text{C}$
- 基板厚度 (PC Board Thickness): 1.6mm
- 孔座材料 (Housing Material): PA66
- 针座材料 (Wafer Material): PA66
- 端子材料 (Terminal Material): 磷青铜 Phosphor Bronze

### ◆ TERMINAL

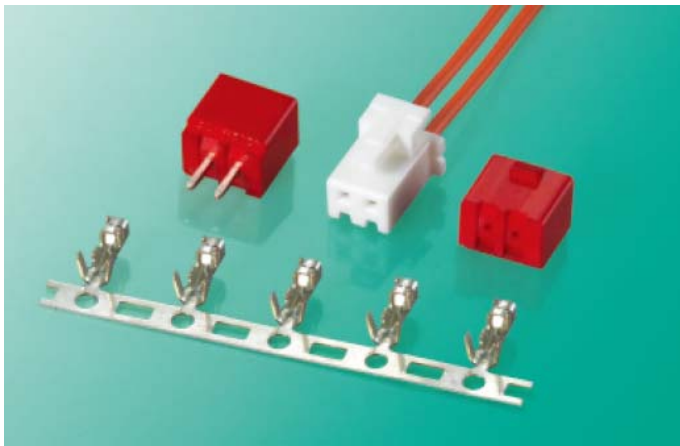
	型号 Part No.	适用电线范围 Wire Range		材料 Material	尺寸(mm) Size			材料厚度 Material Thickness	包装数量 Q'ty/reel	备注 Note
		mm <sup>2</sup>	AWG#		W	L	E			
	TP82020G-3	0.20~0.50	24-20	磷铜 P.B	2.85	16.0	7.2	0.25	4500PCS	
TP82021G-3	0.50~0.75	20-18	磷铜 P.B	2.85	16.0	7.2	0.25	4500PCS		
TP82020G-3(C)	0.50+0.50	20+20	磷铜 P.B	2.85	16.0	7.2	0.25	4500PCS		

### ◆ HOUSING

HP82021G-1Y	HP82021G-2Y	HP82021G-3Y

### ◆ WAFER

HW82021G-1A	HW82021G-2A	HW82021G-3A



**主要技术参数 (Main specifications)**

- 额定电压 (Rating Voltage): 250V AC/DC
- 额定电流 (Rating Current): 3A
- 接触电阻 (Contact Resistance):  $\leq 10\text{m}\Omega$
- 绝缘电阻 (Insulation Resistance):  $\geq 1000\text{M}\Omega$
- 耐压 (Withstand Voltage): 1000V AC/1min.
- 温度范围 (Temperature Range):  $-40^{\circ}\text{C}\sim 105^{\circ}\text{C}$
- 基板厚度 (PC Board Thickness): 1.6mm
- 孔座材料 (Housing Material): PA66
- 针座材料 (Wafer Material): PA66
- 端子材料 (Terminal Material): 磷青铜 Phosphor Bronze

◆ TERMINAL

	适用电线范围 Wire Range		包装数量 Q'ty/reel	备注 Note
	型号 Part No.	mm <sup>2</sup>		
	TP2502J-3(A)	0.15	26	6000PCS
	TP2502J-3	0.20~0.30	24-22	6000PCS
	TP2502J-3(C)	0.50	20	6000PCS

◆ HOUSING

	孔位 Circuits	规格型号 Part No.	尺寸(mm) Size	
			A	B
	2	HP2502J-B-2Y	2.5	5.8
	3	HP2502J-B-3Y	5.0	8.3
	4	HP2502J-B-4Y	7.5	10.8
	5	HP2502J-B-5Y	10.0	13.3
	6	HP2502J-B-6Y	12.5	15.8
	7	HP2502J-B-7Y	15.0	18.3
	8	HP2502J-B-8Y	17.5	20.8
	9	HP2502J-B-9Y	20.0	23.3
	10	HP2502J-B-10Y	22.5	25.8
	11	HP2502J-B-11Y	25.0	28.3
	12	HP2502J-B-12Y	27.5	30.8
	13	HP2502J-B-13Y	30.0	33.3
	14	HP2502J-B-14Y	32.5	35.8
	15	HP2502J-B-15Y	35.0	38.3

**XH 系列(2.5mm 间距)**  
**XH SERIES(2.5mm PITCH)**

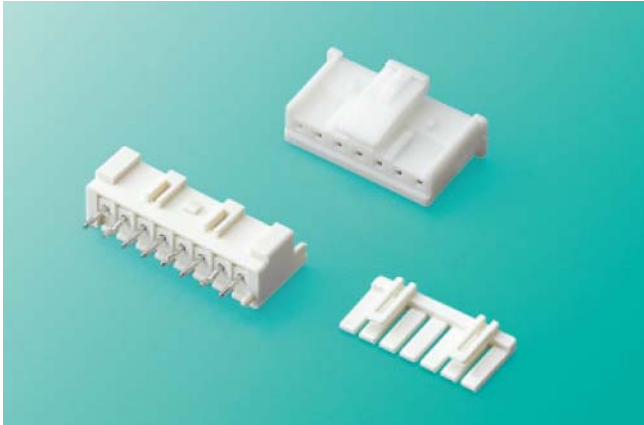


◆ WAFER

孔位 Circuits	规格型号 Part No.	尺寸(mm) Size	
		A	B
2	HW2502J-B-2A	2.5	7.5
3	HW2502J-B-3A	5.0	10.0
4	HW2502J-B-4A	7.5	12.5
5	HW2502J-B-5A	10.0	15.0
6	HW2502J-B-6A	12.5	17.5
7	HW2502J-B-7A	15.0	20.0
8	HW2502J-B-8A	17.5	22.5
9	HW2502J-B-9A	20.0	25.0
10	HW2502J-B-10A	22.5	27.5
11	HW2502J-B-11A	25.0	30.0
12	HW2502J-B-12A	27.5	32.5
13	HW2502J-B-13A	30.0	35.0
14	HW2502J-B-14A	32.5	37.5
15	HW2502J-B-15A	35.0	40.0

◆ RETAINER

孔位 Circuits	规格型号 Part No.	尺寸(mm) Size	
		A	B
2	HC2502J-2S	2.5	9.9
3	HC2502J-3S	5.0	12.4
4	HC2502J-4S	7.5	13.4
5	HC2502J-5S	10.0	15.9
6	HC2502J-6S	12.5	18.4
7	HC2502J-7S	15.0	20.9
8	HC2502J-8S	17.5	23.4
9	HC2502J-9S	20.0	25.9
10	HC2502J-10S	22.5	28.4
11	HC2502J-11S	25.0	30.9
12	HC2502J-12S	27.5	33.4
13	HC2502J-13S	30.0	35.9
14	HC2502J-14S	32.5	38.4
15	HC2502J-15S	35.0	40.9



**主要技术参数 (Main specifications)**

- 额定电压 (Rating Voltage): 250V AC/DC
- 额定电流 (Rating Current): 3A
- 接触电阻 (Contact Resistance):  $\leq 10\text{m}\Omega$
- 绝缘电阻 (Insulation Resistance):  $\geq 1000\text{M}\Omega$
- 耐压 (Withstand Voltage): 1000V AC/1min.
- 温度范围 (Temperature Range):  $-40^{\circ}\text{C}\sim 105^{\circ}\text{C}$
- 基板厚度 (PC Board Thickness): 1.6mm
- 孔座材料 (Housing Material): PA66
- 针座材料 (Wafer Material): PA66
- 端子材料 (Terminal Material): 磷青铜 Phosphor Bronze

◆ TERMINAL

	适用电线范围 Wire Range		包装数量 Q'ty/reel	备注 Note
	型号 Part No.	mm <sup>2</sup>		
	TP2503J-3	0.15~0.30	26-22	8000PCS

◆ HOUSING

	孔位 Circuits	规格型号 Part No.	尺寸(mm) Size		
			A	B	C
	2	HP2503J-2Y	2.5	5.6	7.3
	3	HP2503J-3Y	5.0	8.1	9.8
	4	HP2503J-4Y	7.5	10.6	12.3
	5	HP2503J-5Y	10.0	13.1	14.8
	6	HP2503J-6Y	12.5	15.6	17.3
	7	HP2503J-7Y	15.0	18.1	19.8
	8	HP2503J-8Y	17.5	20.6	22.3
	9	HP2503J-9Y	20.0	23.1	24.8
	10	HP2503J-10Y	22.5	25.6	27.3
	11	HP2503J-11Y	25.0	28.1	29.8
	12	HP2503J-12Y	27.5	30.6	32.3
	13	HP2503J-13Y	30.0	33.1	34.8
	14	HP2503J-14Y	32.5	35.6	37.3
	15	HP2503J-15Y	35.0	38.1	39.8
16	HP2503J-16Y	37.5	40.6	42.3	

**XA 系列(2.5mm 间距)**  
**XA SERIES(2.5mm PITCH)**

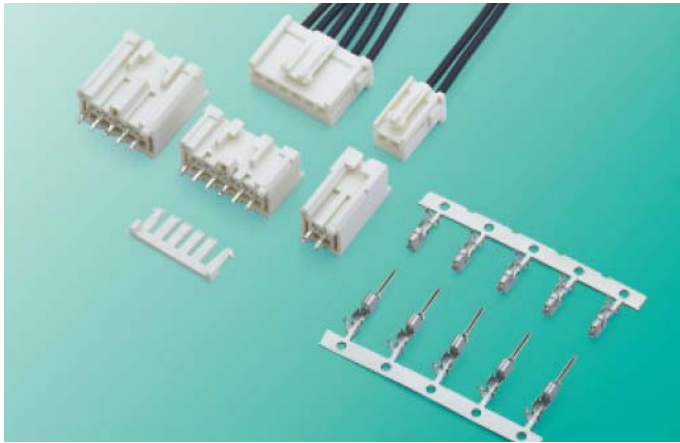


◆ WAFER

HW2503J-nA		孔位 Circuits	规格型号 Part No.		尺寸(mm) Size	
					A	B
		2	HW2503J-2A	HW2503J-D-2A	2.5	7.5
		3	HW2503J-3A	HW2503J-D-3A	5.0	10.0
		4	HW2503J-4A	HW2503J-D-4A	7.5	12.5
		5	HW2503J-5A	HW2503J-D-5A	10.0	15.0
		6	HW2503J-6A	HW2503J-D-6A	12.5	17.5
		7	HW2503J-7A	HW2503J-D-7A	15.0	20.0
HW2503J-D-nA		8	HW2503J-8A	HW2503J-D-8A	17.5	22.5
		9	HW2503J-9A	HW2503J-D-9A	20.0	25.0
		10	HW2503J-10A	HW2503J-D-10A	22.5	27.5
		11	HW2503J-11A	HW2503J-D-11A	25.0	30.0
		12	HW2503J-12A	HW2503J-D-12A	27.5	32.5
		13	HW2503J-13A	HW2503J-D-13A	30.0	35.0
		14	HW2503J-14A	HW2503J-D-14A	32.5	37.5
		15	HW2503J-15A	HW2503J-D-15A	35.0	40.0
		16	HW2503J-16A	HW2503J-D-16A	37.5	42.5

◆ RETAINER

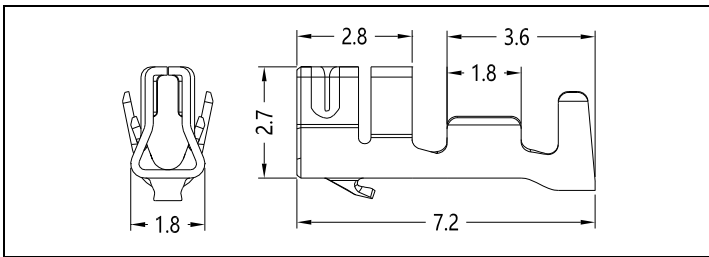
		孔位 Circuits	规格型号 Part No.		尺寸(mm) Size	
					A	B
		2	HC2503J-2S	2.5	7.0	
		3	HC2503J-3S	5.0	6.9	
		4	HC2503J-4S	7.5	9.4	
		5	HC2503J-5S	10.0	11.9	
		6	HC2503J-6S	12.5	14.4	
		7	HC2503J-7S	15.0	16.9	
		8	HC2503J-8S	17.5	19.4	
		9	HC2503J-9S	20.0	21.9	
		10	HC2503J-10S	22.5	24.4	
		11	HC2503J-11S	25.0	26.9	
		12	HC2503J-12S	27.5	29.4	
		13	HC2503J-13S	30.0	31.9	
		14	HC2503J-14S	32.5	34.4	
		15	HC2503J-15S	35.0	36.9	
		16	HC2503J-15S	37.5	39.4	



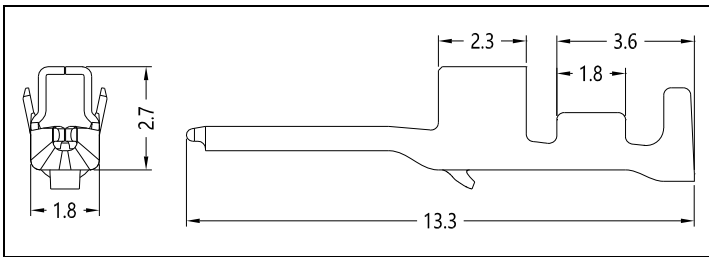
### 主要技术参数 (Main specifications)

- 额定电压 (Rating Voltage): 250V AC/DC
- 额定电流 (Rating Current): 5A
- 接触电阻 (Contact Resistance):  $\leq 10\text{m}\Omega$
- 绝缘电阻 (Insulation Resistance):  $\geq 1000\text{M}\Omega$
- 耐压 (Withstand Voltage): 1000V AC/1min.
- 温度范围 (Temperature Range):  $-40^{\circ}\text{C}\sim 105^{\circ}\text{C}$
- 基板厚度 (PC Board Thickness): 1.6mm
- 孔座材料 (Housing Material): PA66
- 针座材料 (Wafer Material): PA66
- 端子材料 (Terminal Material): 磷青铜 Phosphor Bronze

### ◆ TERMINAL

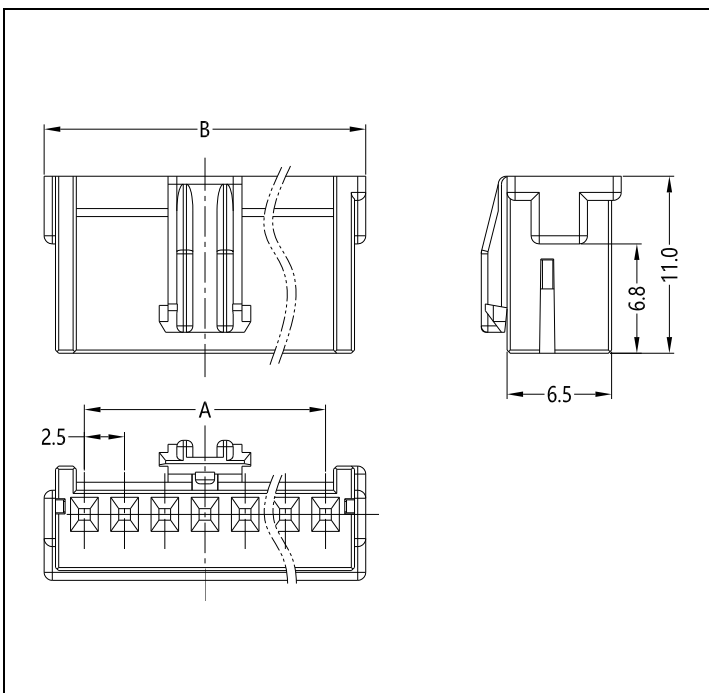


型号 Part No.	适用电线范围 Wire Range		包装数量 Q'ty/reel	备注 Note
	mm <sup>2</sup>	AWG#		
TP2526A-3(A)	0.15~0.30	26-22	6000PCS	
TP2526A-3	0.30~0.50	22-20	6000PCS	



型号 Part No.	适用电线范围 Wire Range		包装数量 Q'ty/reel	备注 Note
	mm <sup>2</sup>	AWG#		
TR2526A-3(A)	0.15~0.30	26-22	6000PCS	
TR2526A-3	0.30~0.50	22-20	6000PCS	

### ◆ HOUSING



孔位 Circuits	规格型号 Part No.		尺寸(mm) Size	
	PA66(CTI 600V)	PA66(750°C GWT)	A	B
2	HP2526A-2Y/1001	HP2526A-2Y/0101	2.5	7.5
3	HP2503J-3Y/1001	HP2503J-3Y/0101	5.0	10.0
4	HP2503J-4Y/1001	HP2503J-4Y/0101	7.5	12.5
5	HP2503J-5Y/1001	HP2503J-5Y/0101	10.0	15.0
6	HP2503J-6Y/1001	HP2503J-6Y/0101	12.5	17.5
7	HP2503J-7Y/1001	HP2503J-7Y/0101	15.0	20.0
8	HP2503J-8Y/1001	HP2503J-8Y/0101	17.5	22.5
9	HP2503J-9Y/1001	HP2503J-9Y/0101	20.0	25.0
10	HP2503J-10Y/1001	HP2503J-10Y/0101	22.5	27.5
11	HP2503J-11Y/1001	HP2503J-11Y/0101	25.0	30.0
12	HP2503J-12Y/1001	HP2503J-12Y/0101	27.5	32.5
13	HP2503J-13Y/1001	HP2503J-13Y/0101	30.0	35.0



SDL 系列(2.5mm 间距)  
SDL SERIES(2.5mm PITCH)



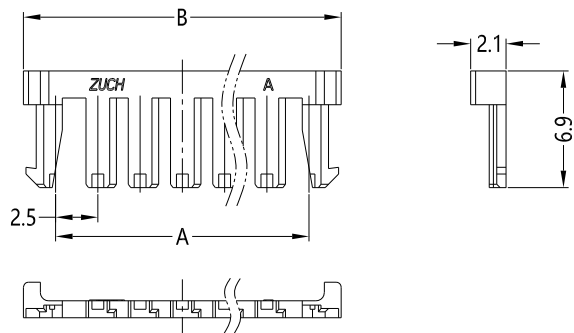
◆ SOCKET

孔位 Circuits	规格型号 Part No.		尺寸(mm) Size	
	PA66(CTI 600V)	PA66(750°C GWT)	A	B
	2	HR2526A-2Y/1001	HR2526A-2Y/0101	2.5
3	HR2503J-3Y/1001	HR2503J-3Y/0101	5.0	10.6
4	HR2503J-4Y/1001	HR2503J-4Y/0101	7.5	13.1
5	HR2503J-5Y/1001	HR2503J-5Y/0101	10.0	15.6
6	HR2503J-6Y/1001	HR2503J-6Y/0101	12.5	18.1
7	HR2503J-7Y/1001	HR2503J-7Y/0101	15.0	20.6
8	HR2503J-8Y/1001	HR2503J-8Y/0101	17.5	23.1
9	HR2503J-9Y/1001	HR2503J-9Y/0101	20.0	25.6
10	HR2503J-10Y/1001	HR2503J-10Y/0101	22.5	28.1
11	HR2503J-11Y/1001	HR2503J-11Y/0101	25.0	30.6
12	HR2503J-12Y/1001	HR2503J-12Y/0101	27.5	33.1
13	HR2503J-13Y/1001	HR2503J-13Y/0101	30.0	35.6

◆ WAFER

孔位 Circuits	规格型号 Part No.		尺寸(mm) Size	
			A	B
	2	HW2526A-2A	HW2526A-H-2A	2.5
3	HW2526A-3A	HW2526A-H-3A	5.0	10.0
4	HW2526A-4A	HW2526A-H-4A	7.5	12.5
5	HW2526A-5A	HW2526A-H-5A	10.0	15.0
6	HW2526A-6A	HW2526A-H-6A	12.5	17.5
7	HW2526A-7A	HW2526A-H-7A	15.0	20.0
8	HW2526A-8A	HW2526A-H-8A	17.5	22.5
9	HW2526A-9A	HW2526A-H-9A	20.0	25.0
10	HW2526A-10A	HW2526A-H-10A	22.5	27.5
11	HW2526A-11A	HW2526A-H-11A	25.0	30.0
12	HW2526A-12A	HW2526A-H-12A	27.5	32.5
13	HW2526A-13A	HW2526A-H-13A	30.0	35.0

◆ RETAINER



孔位 Circuits	规格型号 Part No.	尺寸(mm) Size	
		A	B
2	HC2526A-2S	2.5	6.3
3	HC2526A-3S	5.0	8.8
4	HC2526A-4S	7.5	11.3
5	HC2526A-5S	10.0	13.8
6	HC2526A-6S	12.5	16.3
7	HC2526A-7S	15.0	18.8
8	HC2526A-8S	17.5	21.3
9	HC2526A-9S	20.0	23.8
10	HC2526A-10S	22.5	26.3
11	HC2526A-11S	25.0	28.8
12	HC2526A-12S	27.5	31.3
13	HC2526A-13S	30.0	33.8



### 主要技术参数 (Main specifications)

- 额定电压 (Rating Voltage): 250V AC/DC
- 额定电流 (Rating Current): 5A
- 接触电阻 (Contact Resistance):  $\leq 10\text{m}\Omega$
- 绝缘电阻 (Insulation Resistance):  $\geq 1000\text{M}\Omega$
- 耐 压 (Withstand Voltage): 1000V AC/1min.
- 温度范围 (Temperature Range):  $-40^{\circ}\text{C}\sim 105^{\circ}\text{C}$
- 孔座材料 (Housing Material): PA66
- 端子材料 (Terminal Material): 磷青铜 Phosphor Bronze

### ◆ TERMINAL

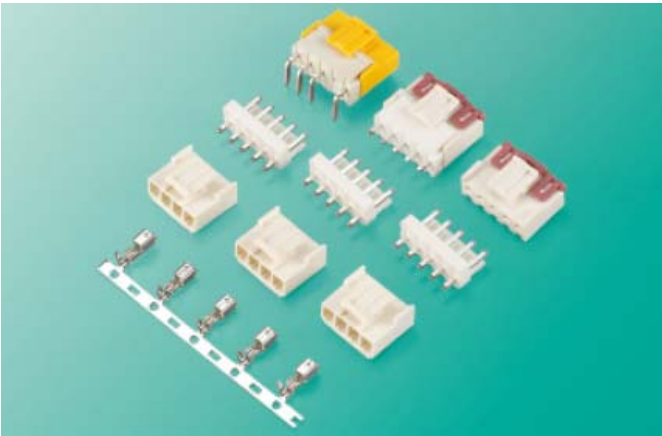
	适用电线范围 Wire Range		包装数量 Q'ty/reel	备注 Note
	型号 Part No.	mm <sup>2</sup>		
	TP3502J-3	0.30~0.50	22-20	6000PCS

### ◆ HOUSING

HP3502J-2x2Y	HP3502J-2x3Y

### ◆ RETAINER

HC3502J-2x2S	HC3502J-2x3S



**主要技术参数 (Main specifications)**

- 额定电压 (Rating Voltage): 250V AC/DC
- 额定电流 (Rating Current): 7A
- 接触电阻 (Contact Resistance):  $\leq 10\text{m}\Omega$
- 绝缘电阻 (Insulation Resistance):  $\geq 1000\text{M}\Omega$
- 耐压 (Withstand Voltage): 1500V AC/1min.
- 温度范围 (Temperature Range):  $-40^{\circ}\text{C}\sim 105^{\circ}\text{C}$
- 基板厚度 (PC Board Thickness): 1.6mm
- 孔座材料 (Housing Material): PA66
- 针座材料 (Wafer Material): PA66
- 端子材料 (Terminal Material): 磷青铜 Phosphor Bronze

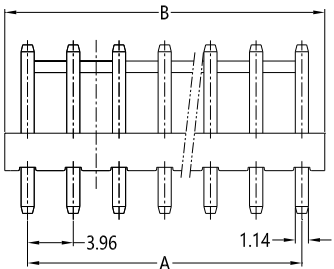
◆ TERMINAL

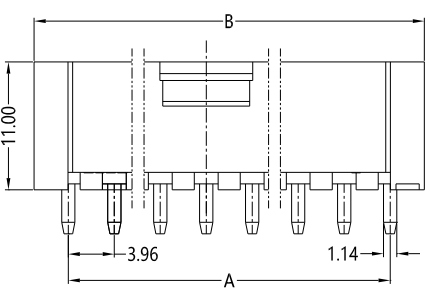
型号 Part No.	适用电线范围 Wire Range		包装数量 Q'ty/reel	备注 Note
	mm <sup>2</sup>	AWG#		
TP3960J-3(D)	0.30	22	3000PCS	
TP3960J-3	0.50~0.75	20-18	3000PCS	
TP3960J-3(G)	0.75~1.50	18-16	3000PCS	

◆ HOUSING

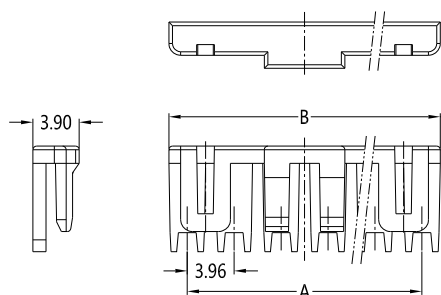
孔位 Circuits	规格型号 Part No.	尺寸(mm) Size	
		A	B
2	HP3960J-2Y	3.96	8.3
3	HP3960J-3Y	7.92	12.26
4	HP3960J-4Y	11.88	16.22
5	HP3960J-5Y	15.84	20.18
6	HP3960J-6Y	19.80	24.14
7	HP3960J-7Y	23.76	28.1
8	HP3960J-8Y	27.72	32.06
9	HP3960J-9Y	31.68	36.02
10	HP3960J-10Y	35.64	39.98
11	HP3960J-11Y	39.60	43.94
12	HP3960J-12Y	43.56	47.9

◆ WAFER

HW3960J-nA 	孔位 Circuits	规格型号 Part No.			尺寸(mm) Size	
					A	B
					2	HW3960J-2A
3	HW3960J-3A	HW3960J-D-3A	HW3960J-3QA	7.92	11.88	
4	HW3960J-4A	HW3960J-D-4A	HW3960J-4QA	11.88	15.84	
5	HW3960J-5A	HW3960J-D-5A	HW3960J-5QA	15.84	19.80	
6	HW3960J-6A	HW3960J-D-6A	HW3960J-6QA	19.80	23.76	
7	HW3960J-7A	HW3960J-D-7A	HW3960J-7QA	23.76	27.72	
8	HW3960J-8A	HW3960J-D-8A	HW3960J-8QA	27.72	31.68	
9	HW3960J-9A	HW3960J-D-9A	HW3960J-9QA	31.68	35.64	
10	HW3960J-10A	HW3960J-D-10A	HW3960J-10QA	35.64	39.60	
11	HW3960J-11A	HW3960J-D-11A	HW3960J-11QA	39.60	43.56	
12	HW3960J-12A	HW3960J-D-12A	HW3960J-12QA	43.56	47.52	

HW3960M-nA 	孔位 Circuits	规格型号 Part No.		尺寸(mm) Size	
				A	B
				5	HW3960M-5A
6	HW3960M-6A	HW3960M-D-6A	19.80	25.69	
7	HW3960M-7A	HW3960M-D-7A	23.76	29.65	
9	HW3960M-9A	HW3960M-D-9A	31.68	37.57	

◆ RETAINER



孔位 Circuits	规格型号 Part No.	尺寸(mm) Size	
		A	B
2	HC3960J-2S	3.96	7.0
3	HC3965J-3S	7.92	11.02
4	HC3965J-4S	11.88	15.80
5	HC3965J-5S	15.84	18.95
6	HC3965J-6S	19.80	22.9
7	HC3965J-7S	23.76	26.86
8	HC3965J-8S	27.72	30.82
9	HC3965J-9S	31.68	34.78
10	HC3965J-10S	35.64	38.74
11	HC3965J-11S	39.60	42.7
12	HC3965J-12S	43.56	46.66



### 主要技术参数 (Main specifications)

- 额定电压 (Rating Voltage): 300V AC/DC
- 额定电流 (Rating Current): 10A
- 接触电阻 (Contact Resistance):  $\leq 10\text{m}\Omega$
- 绝缘电阻 (Insulation Resistance):  $\geq 1000\text{M}\Omega$
- 耐压 (Withstand Voltage): 1500V AC/1min.
- 温度范围 (Temperature Range):  $-40^{\circ}\text{C}\sim 105^{\circ}\text{C}$
- 孔座材料 (Housing Material): PA66
- 插座材料 (Socket Material): PA66

### ◆ TERMINAL

	型号 Part No.	适用电线范围 Wire Range		材质 Material	包装数量 Q'ty/reel
		mm <sup>2</sup>	AWG#		
	TP3968A-3(A)	0.2~0.30	24-22	磷青铜 PB	3500PCS
	TP3968A-3	0.50~0.75	20-18	磷青铜 PB	3500PCS

	型号 Part No.	适用电线范围 Wire Range		材质 Material	包装数量 Q'ty/reel
		mm <sup>2</sup>	AWG#		
	TR3968A-3(A)	0.2~0.30	24-22	黄铜 Brass	3500PCS
	TR3968A-3	0.50~0.75	20-18	黄铜 Brass	3500PCS

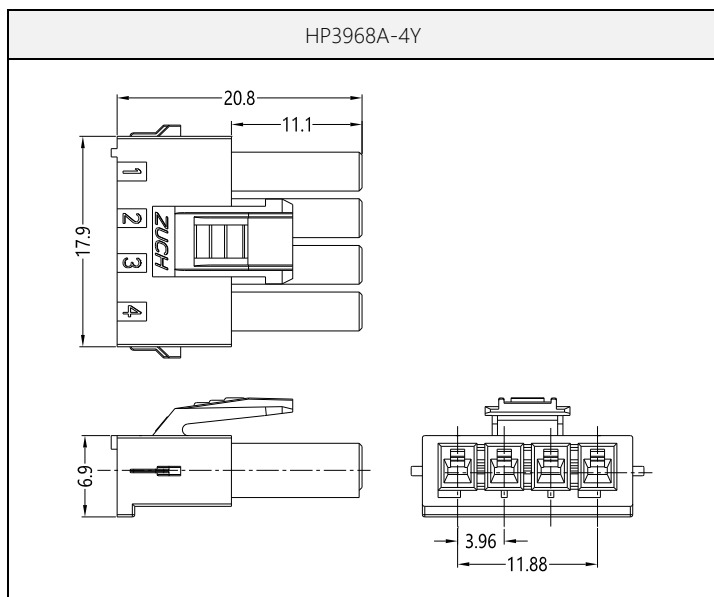
### ◆ HOUSING

HP3968A-2Y	HP3968A-3Y

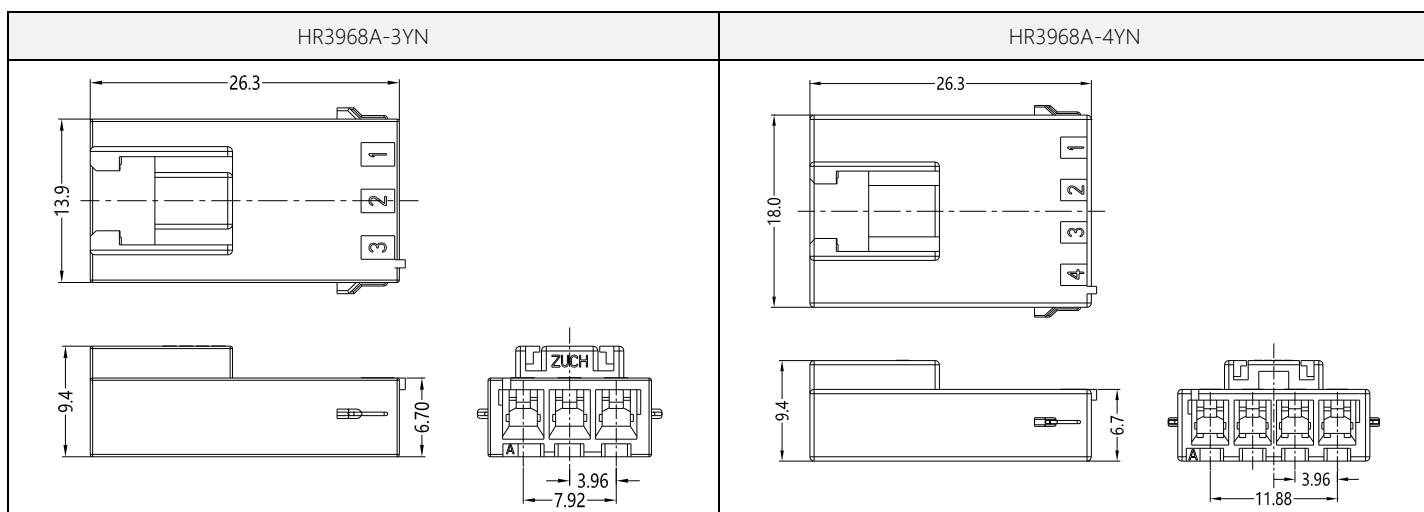
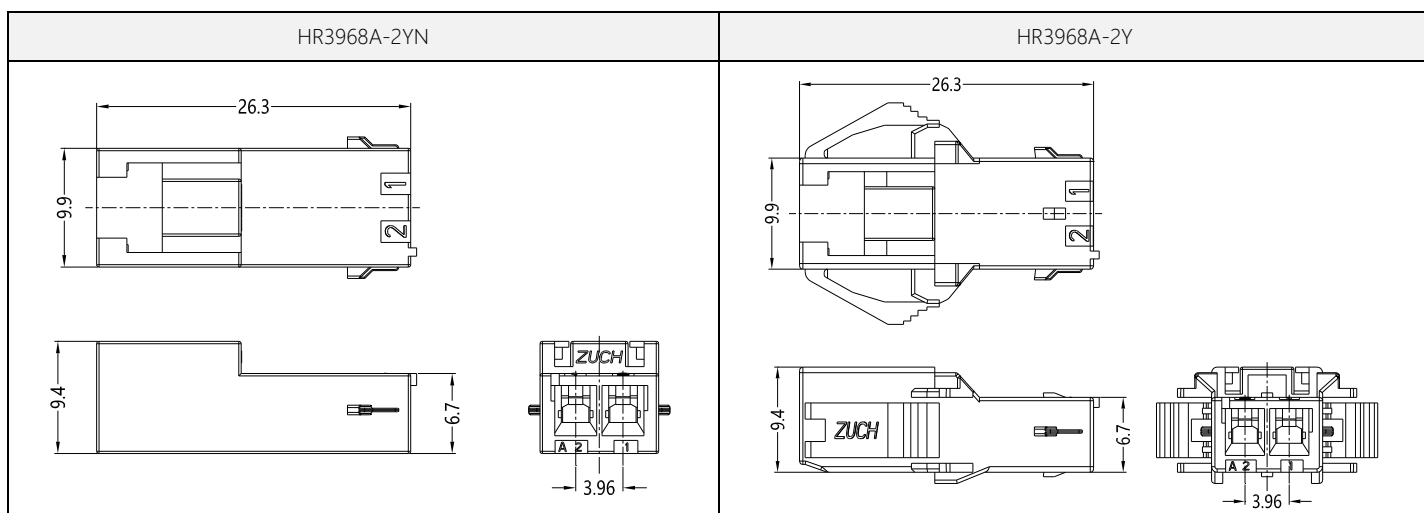
3968 系列(3.96mm 间距)  
3968 SERIES(3.96mm PITCH)



◆ HOUSING



◆ SOCKET

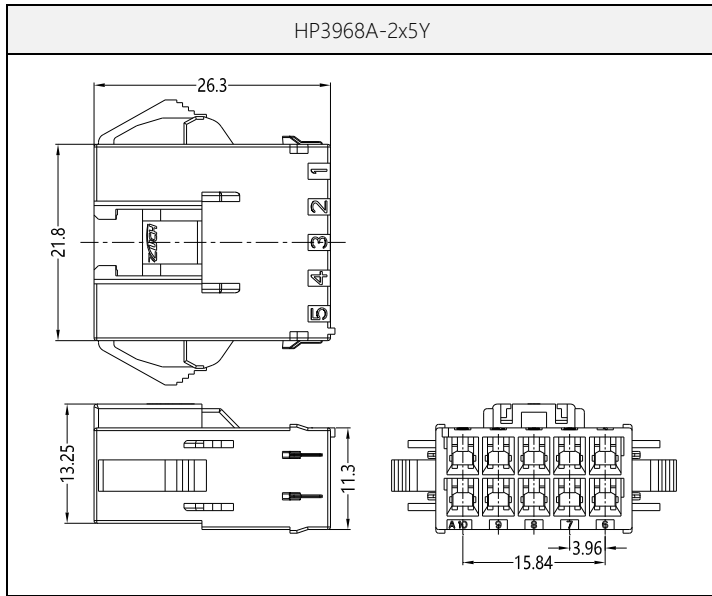




3968 系列(3.96mm 间距)  
3968 SERIES(3.96mm PITCH)



◆ SOCKET



◆ RETAINER

